

AVAILABLE FOR RENT OR SALE



www.atsequipment.com

# MQ Mikasa MVC88VTHW

## FORWARD SOIL PLATES

- Reliable engine with Honda GX160 offering easy start-up and low oil shutdown for durability.
- Cyclonic pre-cleaner captures most airborne contaminants for engine protection and extended service life.
- Single cast baseplate and eccentric housing lowers center of gravity and increases travel speed by 12% for greater productivity.
- Hour/tachometer measures runtime and engine rpm.
- Tubular steel roll bar protects engine components and provides central lifting point.
- Sealed belt cover keeps dirt and rocks out extending belt life.
- Open base plate design makes for easier removal of dirt and rock build-up.
- Cog-tooth belt drive enables longer life compared to conventional V-belts.
- Removable water tank can easily be refilled and is largest in class with 13.7 quart capacity.
- Optional urethane plate attachment for use on paving stones and brick pavers (UPA88T).
- Optional transport wheel kit WHL88T for serial number T2A9197 and below. WHL88TC for serial number T2A9198 and above.

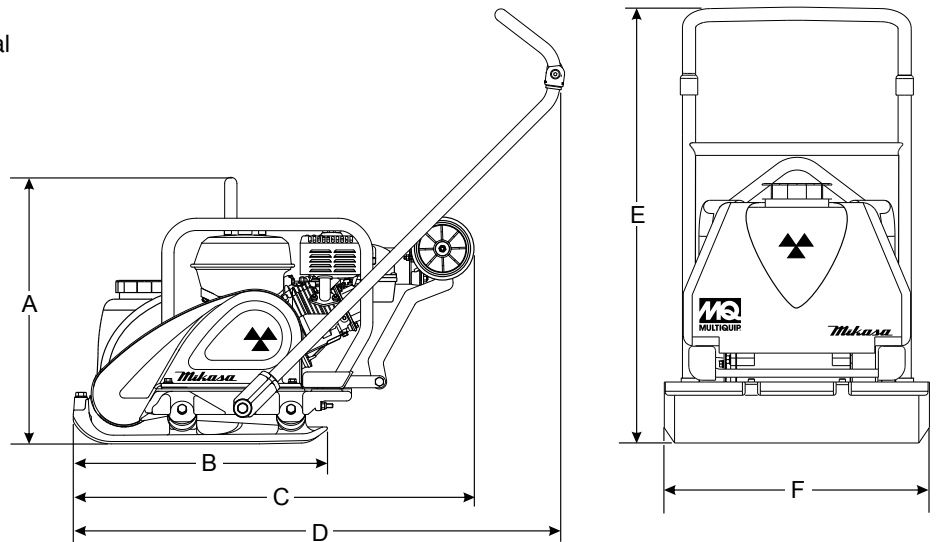


### SPECIFICATIONS

Centrifugal Force: 3372 lbf  
 Exciter Speed: 6000 VPM  
 Plate Size: 19.7 x 20.7 in  
 Max Forward Speed Per Min.: 82 ft  
 Fuel Consumption Per Hour: 0.31 gal  
 Water Tank Capacity: 13.7 qt  
 Operating Weight: 229 lb  
 Shipping Weight: 225 lb

### DIMENSIONS & WEIGHTS

REF. DES	IN.
A	21.9
B	20.6
C	32.6
D	37.4
E	41.3
F	19.7



**ATS EQUIPMENT INC.**

**Construction Equipment & Supplies**

**Rentals • Sales • Service**

**BOSTON, MA**  
(617) 825-3600

**AUBURN, MA**  
(508) 832-8500

**REHOBOTH, MA**  
(508) 379-6200

**CANDIA, NH**  
(603) 483-2100